

# DVTS+ System

Congxiao Bao

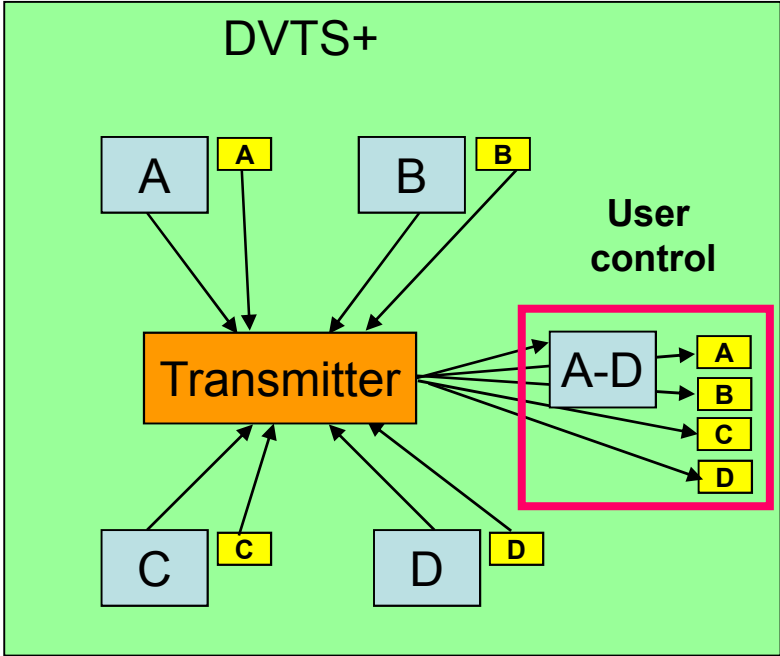
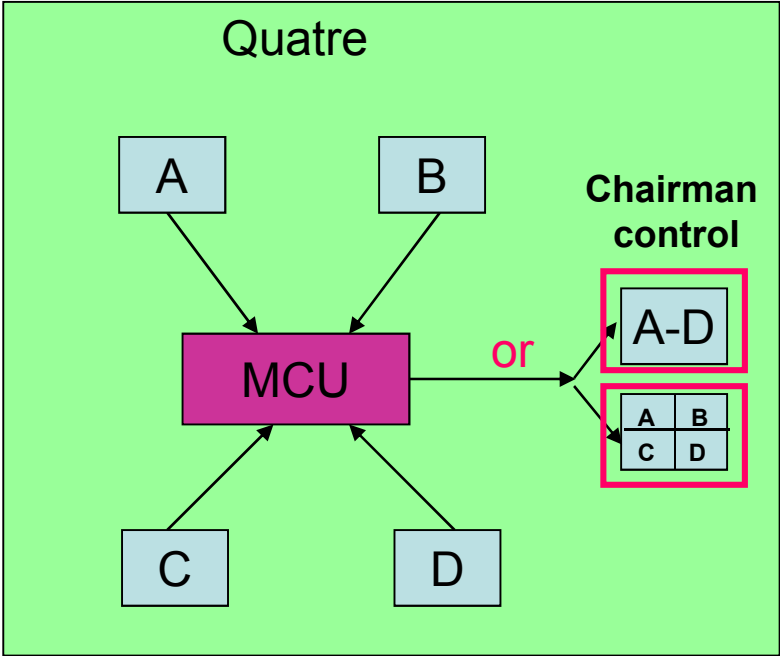
Tsinghua University, CERNET

2010-08-10

# Components

- Client
  - DVTS+ client
  - Compatible with WIDE DVTS client
  - Sending small video, audio & DVTS
  - Receiving multiple small videos, audios and one DVTS
- Server
  - ConfCenter & Transmitter
  - Reflecting small videos, audios and DVTS to different clients under different requirements via signaling

# Comparisons



 DVTS 30Mbps

 MJPEG 1Mbps

# DVTS+ client



# Use DVTS+

- Please mute your microphone when you don't speak
- Double-click the small image of your interested station to view a full-size DVTS image
- User-control
- To do the test or organize the conference at any time without a special MCU setup

# You may try

- <http://conf.dvtsplus.org/>

